

# Technical data sheet

Product features



## Refrigerating unit for INFINITY 4011

<b>Model</b>	<b>SAP Code</b>	00011989
--------------	-----------------	----------



<b>SAP Code</b>	00011989	<b>Net Height [mm]</b>	1500
<b>Net Width [mm]</b>	1705	<b>Net Weight [kg]</b>	159.00
<b>Net Depth [mm]</b>	945	<b>Loading</b>	400 V / 3N - 50 Hz

# Technical data sheet

Technical drawing

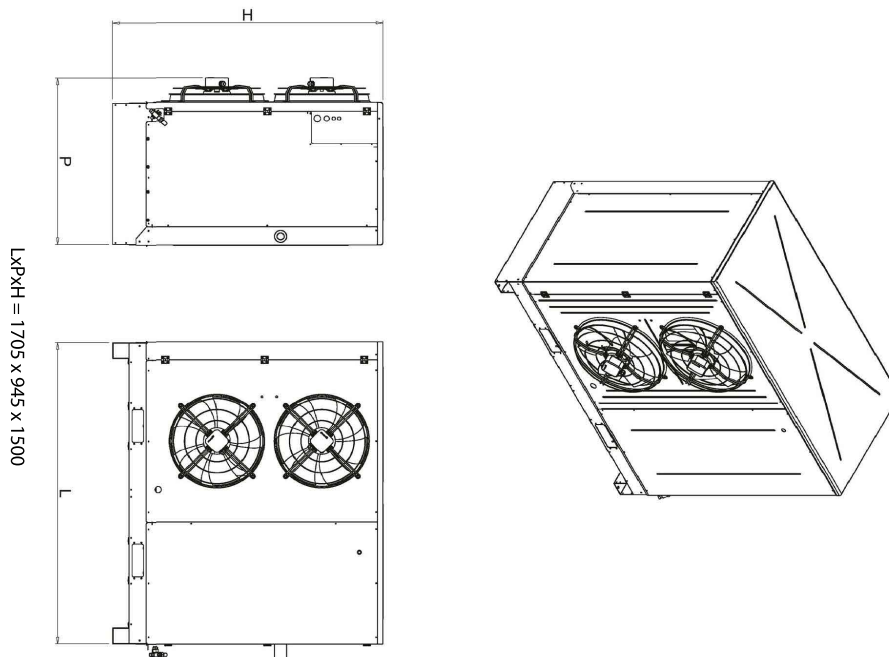


## Refrigerating unit for INFINITY 4011

Model

SAP Code

00011989



# Technical data sheet

Technical parameters



## Refrigerating unit for INFINITY 4011

**Model**

**SAP Code**

00011989

**1. SAP Code:**

00011989

**7. Gross depth [mm]:**

1080

**2. Net Width [mm]:**

1705

**8. Gross Height [mm]:**

1729

**3. Net Depth [mm]:**

945

**9. Gross Weight [kg]:**

169.00

**4. Net Height [mm]:**

1500

**10. Device type:**

Electric unit

**5. Net Weight [kg]:**

159.00

**11. Loading:**

400 V / 3N - 50 Hz

**6. Gross Width [mm]:**

1900

**12. Refrigerant:**

R452a